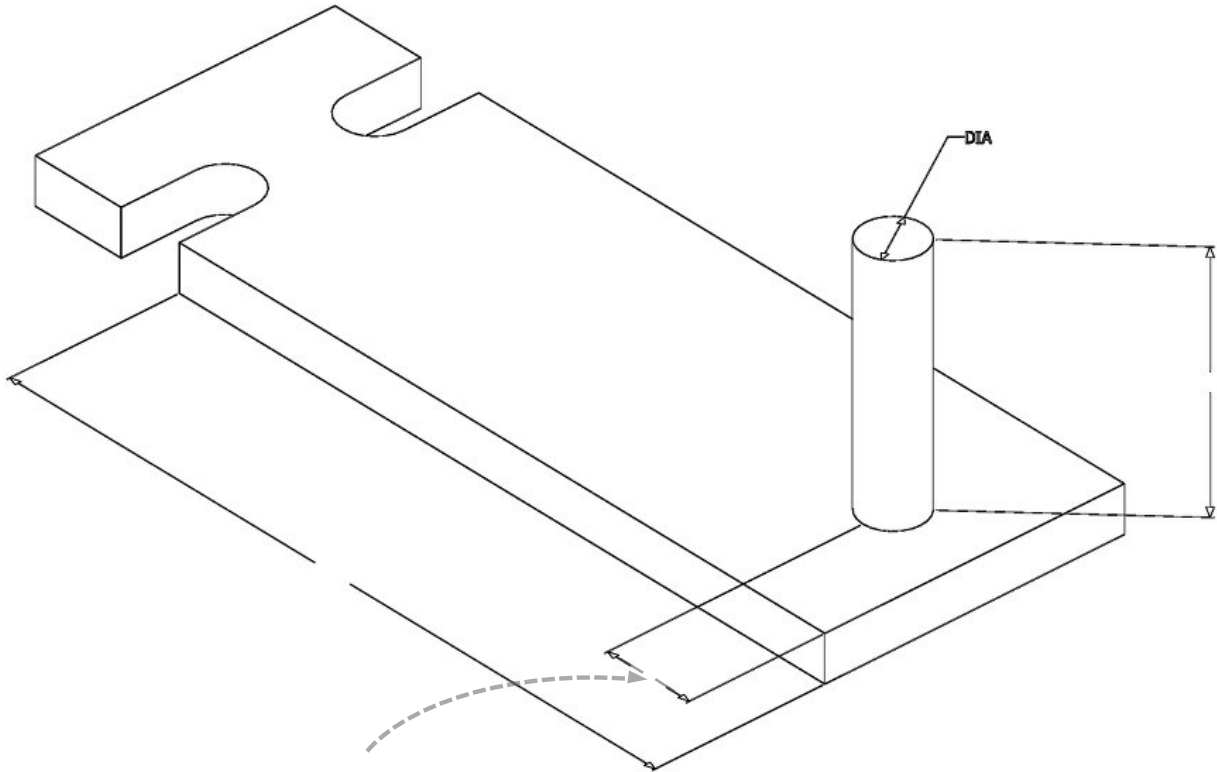


STONE ANCHORS



#1406 Channel Anchor with dowel



QUANTITY: _____

ST/ST Min. Fy = 45,000 p.s.i (ASTM A666)

THICKNESS:

- 12 gauge 1/4"
 3/16" Other _____

FINISH:

- Hot Dip Galv.
 Stainless Steel Type 304

Dowel:

- Welded

CONTACT INFORMATION:

Name: _____
Company: _____
Phone: _____ Fax: _____
E-mail: _____

PROJECT INFORMATION:

Name: _____
Location: _____

